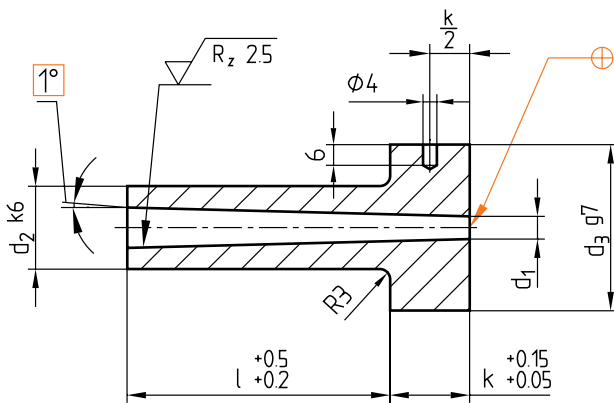


Z511/...

Mat.: 1.2826/55 ± 2 HRC  
 ≈ DIN 16752-D



► Info



d <sub>3</sub>	k	d <sub>2</sub>	l	d <sub>1</sub>	Nr./No.
28	13	12	22	2,5	Z511/12x22/2,5
			27		27
			36		36
			46		46
			22		3,5
		27	27		
		36	36		
		46	46		
		56	56		
		38	18	18	27
36	36				
46	46				

d <sub>3</sub>	k	d <sub>2</sub>	l	d <sub>1</sub>	Nr./No.
38	18	18	56	3	Z511/18x 56/3
			76		76
			96		96
			116		116
			27		4
			36	36	
			46	46	
			56	56	
			76	76	
116	116				

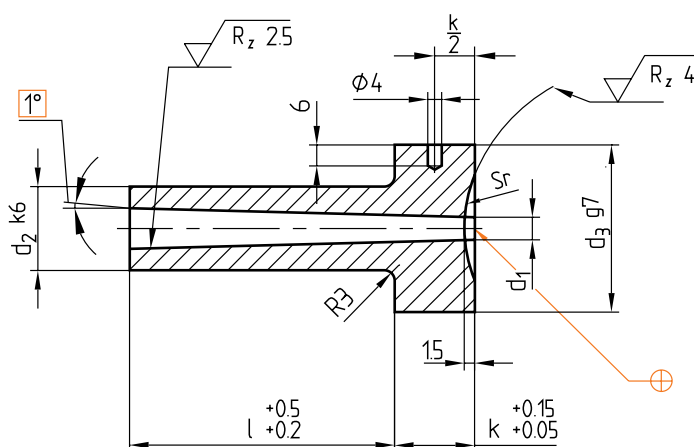
This is trial version  
[www.adultpdf.com](http://www.adultpdf.com)

Z511/...

Mat.: 1.2826/55 ± 2 HRC  
 ≈ DIN 16752 - C



► Info



d <sub>3</sub>	k	d <sub>2</sub>	l	d <sub>1</sub>	Sr	Nr./No.	Sr	Nr./No.		
28	13	12	22	2,5	15,5	Z511/12x 22/2,5/15,5	40	Z511/12x 22/2,5/40		
			27			27				
			36			36				
			46			46				
			22			3,5		Z511/12x 22/3,5/15,5	Z511/12x 22/3,5/40	
			27					27		
		36	36							
		46	46							
		56	56							
		56	56							
		38	18	18	27	3	15,5	Z511/18x 27/3 /15,5	40	Z511/18x 27/3 /40
					36			36		
46	46									
56	56									
76	76									
96	96									
116	116									
27	4				Z511/18x 27/4 /15,5			Z511/18x 27/4 /40		
36					36					
46					46					
56					56					
76					76					
96					96					
116					116					

This is trial version  
 www.adultpdf.com